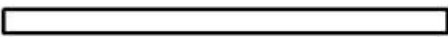
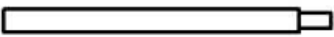
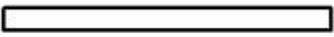





Gala Tent 3X12

Pack Contents

NUMBER	PARTS	SIZE MM	QTY
B		1940	12
D1		1500	2
D2		1500	2
1 [#] BASE PLATE			10
2 [#] BASE PLATE			4
Bungee			60

