


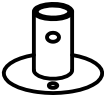

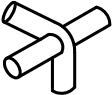








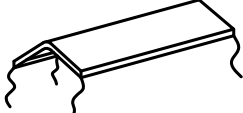

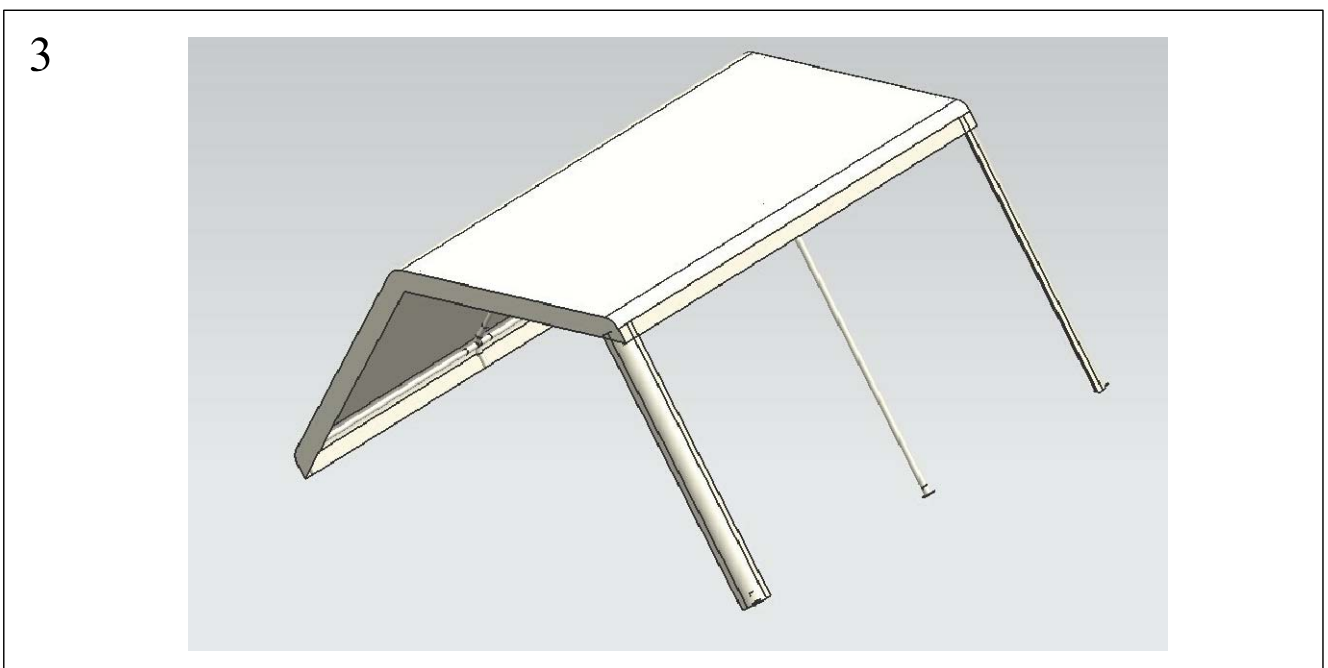
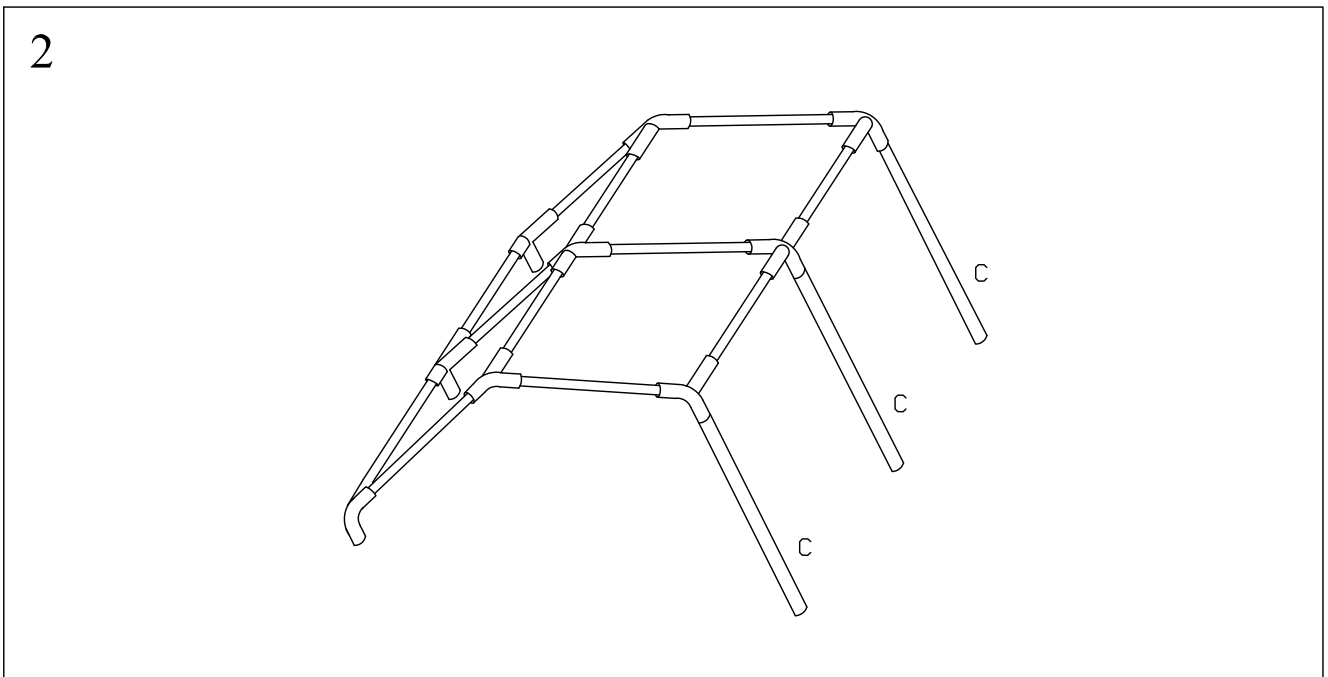
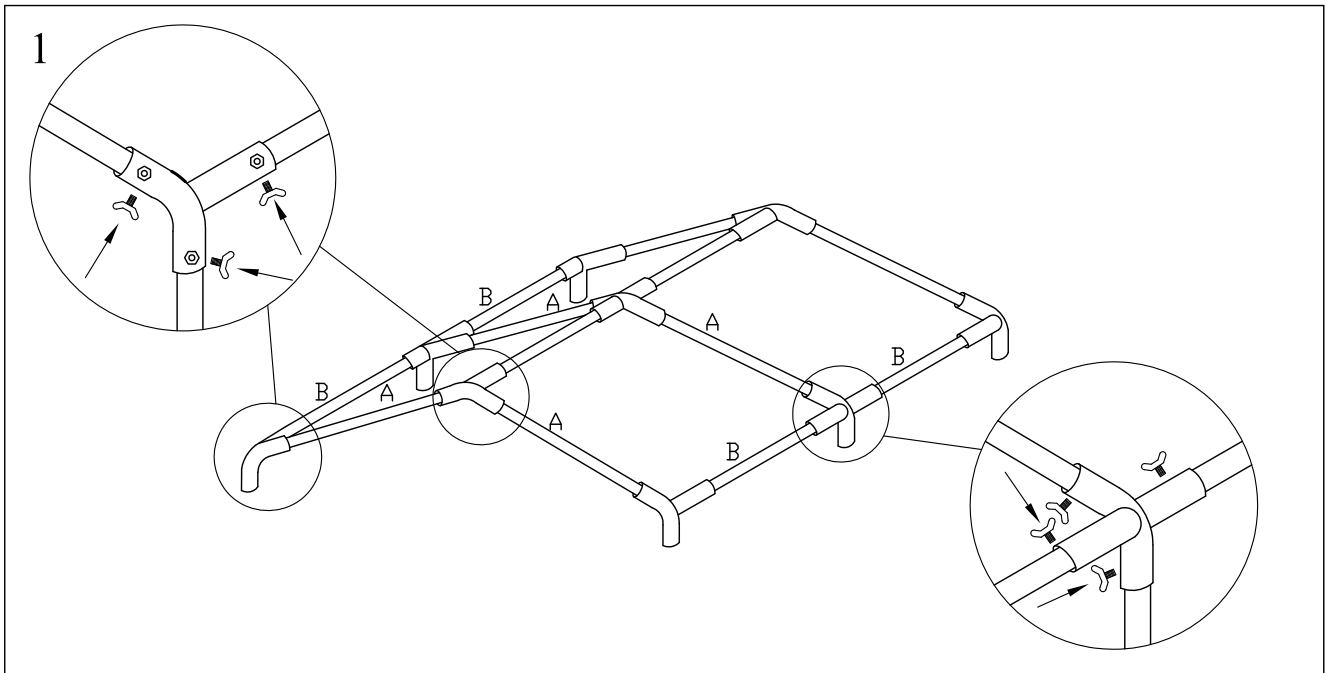


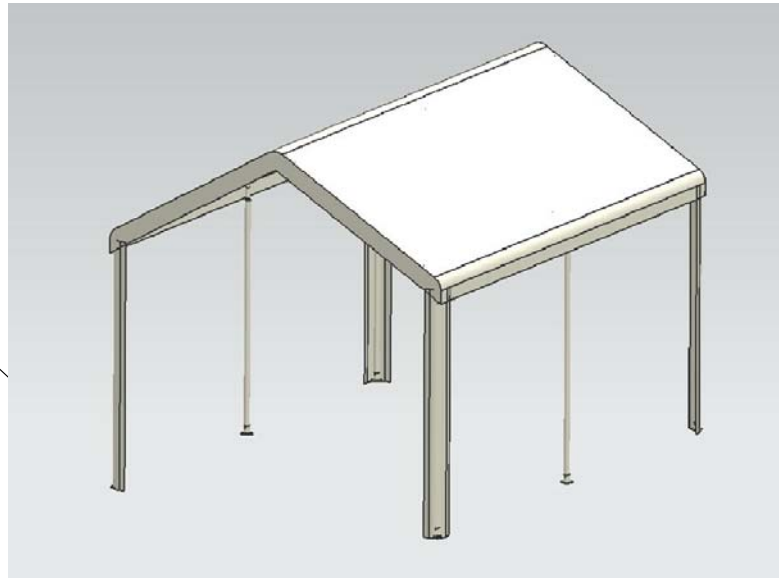
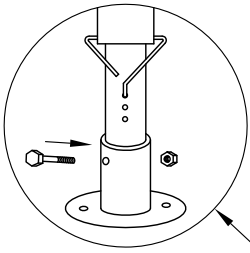
4mx4m Gala Tent Assembling Instruction-PE

-Parts List-

Quantity		Description
6	A 	Rafter
6	B 	Apex and eave pole
6	C 	Leg
6		Base plate
6		3 way joint
3		4 way joint
6		Nut and bolt
4		Guy lines
30		Bolt
76		Bungee
4		Peg ø6x275mm
70		Peg ø4.5x180mm
		End panel
		Wall panel
1		Roof
2		Middle leg



4



5

